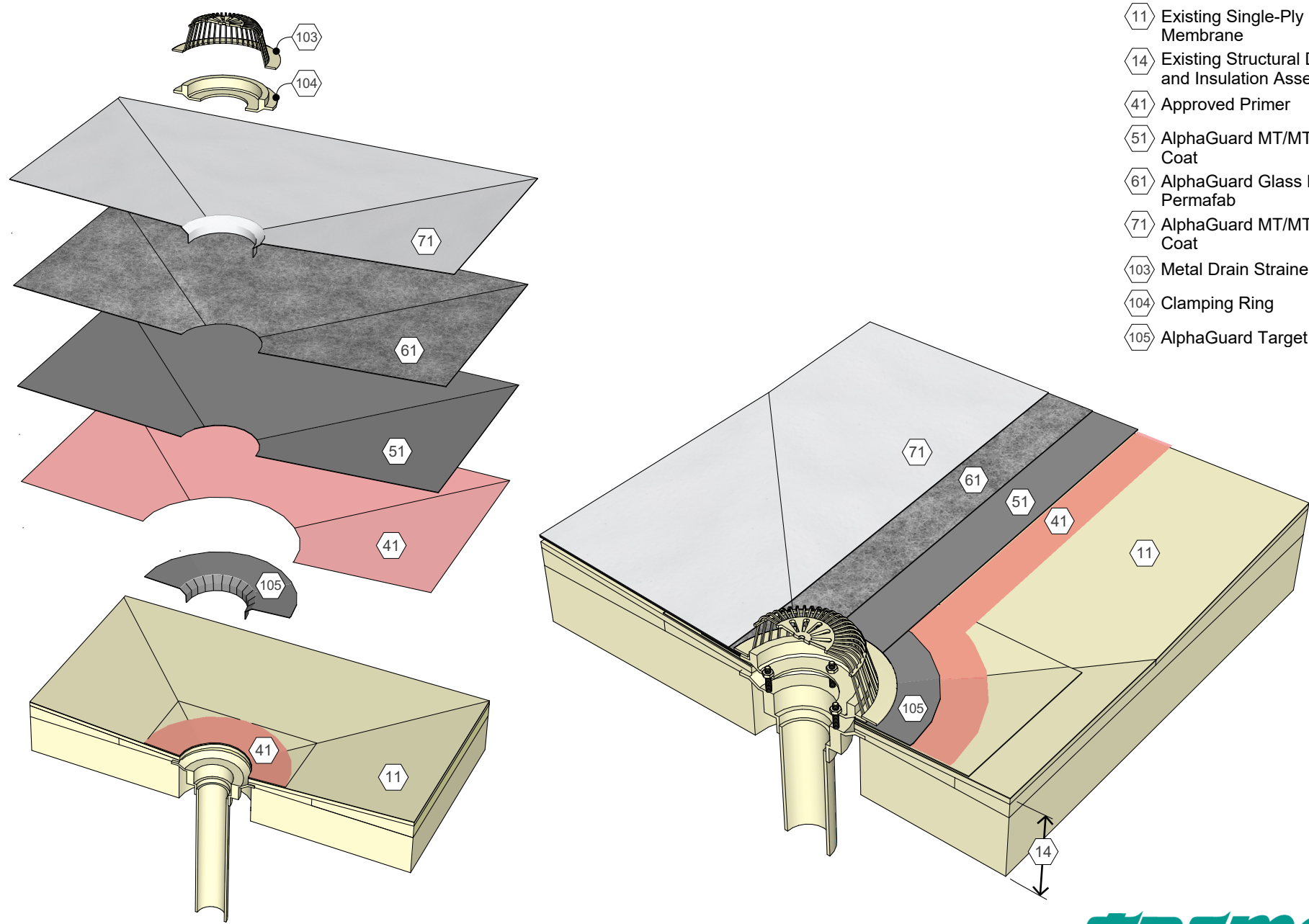


KEY NOTES

- 11 Existing Single-Ply Membrane
- 14 Existing Structural Deck and Insulation Assembly
- 41 Approved Primer
- 51 AlphaGuard MT/MTS Base Coat
- 61 AlphaGuard Glass Mat or Permafab
- 71 AlphaGuard MT/MTS Top Coat
- 103 Metal Drain Strainer
- 104 Clamping Ring
- 105 AlphaGuard Target Patch

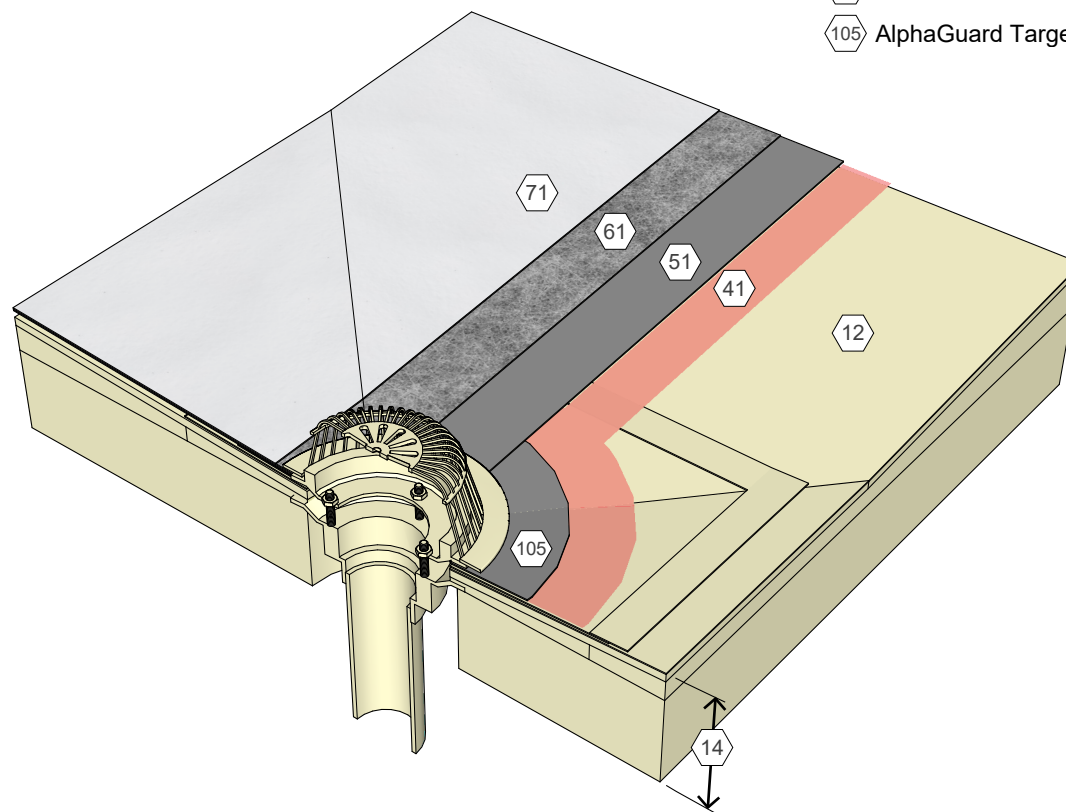
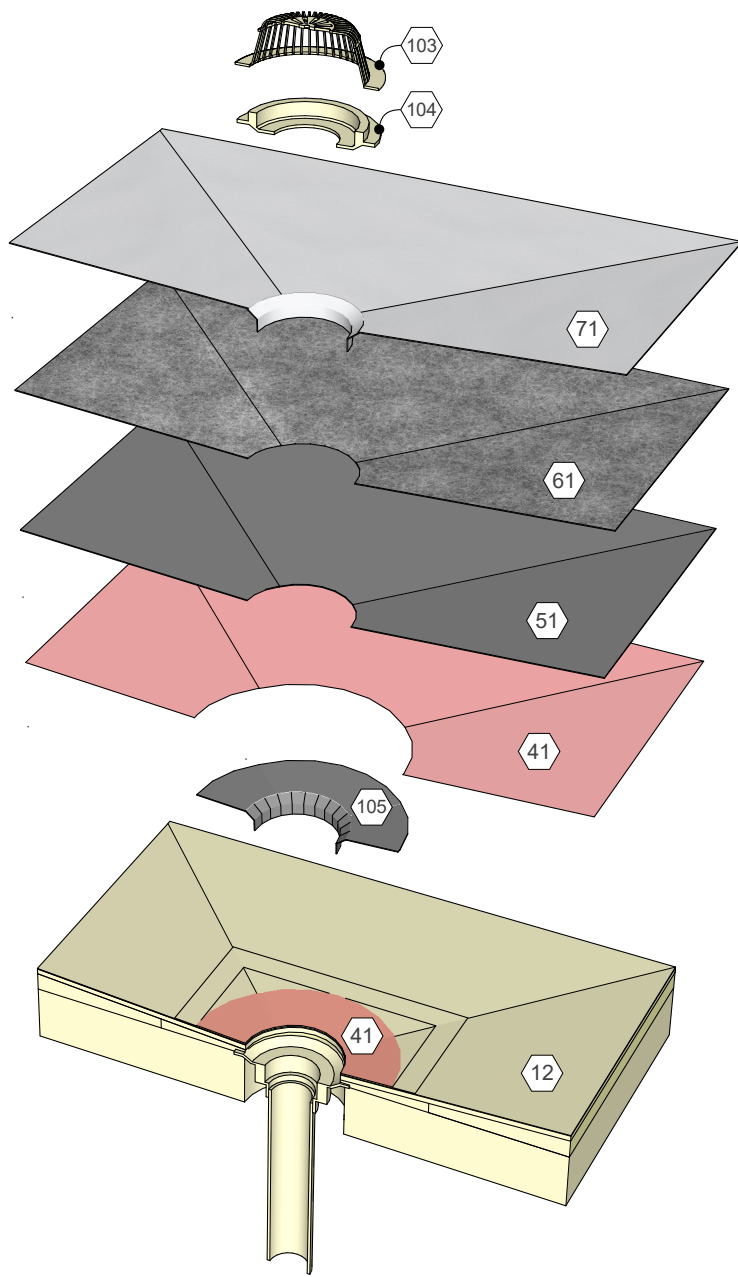


AlphaGuard® MT/MTS Restoration Detail, Single-Ply, Roof Drain
Detail 12221



KEY NOTES

- 12 Existing MB or Smooth BUR
- 14 Existing Structural Deck and Insulation Assembly
- 41 Approved Primer
- 51 AlphaGuard MT/MTS Base Coat
- 61 AlphaGuard Glass Mat or Permafab
- 71 AlphaGuard MT/MTS Top Coat
- 103 Metal Drain Strainer
- 104 Clamping Ring
- 105 AlphaGuard Target Patch



AlphaGuard® MT/MTS Restoration Detail, MB or Smooth BUR, Roof Drain
Detail 12222

TREMCO
ROOFING & BUILDING MAINTENANCE